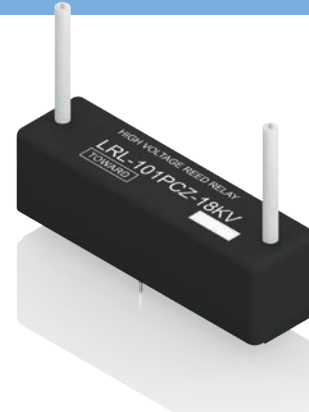


LRL Series

H.V. Reed Relay - Cable Line Out

Features

- Breakdown Voltage is DC 10KV, DC 14KV, DC 18KV.
- Since the contact is brought out by the lead wires, there is flexibility in its mounting.
- Since it is a printed circuit board type, it decreases time and effort of mounting sharply.



Order Code

LRL-10X-PCZ-XXKV
 a b

a : Nominal Coil Voltage : 1=24VDC, 2=12VDC

b : Breakdown Voltage : 10=DC10KV, 14=DC14KV, 18=DC18KV

Coil Data-Standard Type 1 Form A (at 20°C)

Nominal Voltage DC ± 10% [V]	Coil Resistance ± 10% (ohm)	Nominal Current [mA]	Min. Release Voltage (VDC)	Max. Operate Voltage (VDC)
24	720	33.3	2.4	16.8
12	200	60.0	1.2	8.4

Contact Rating

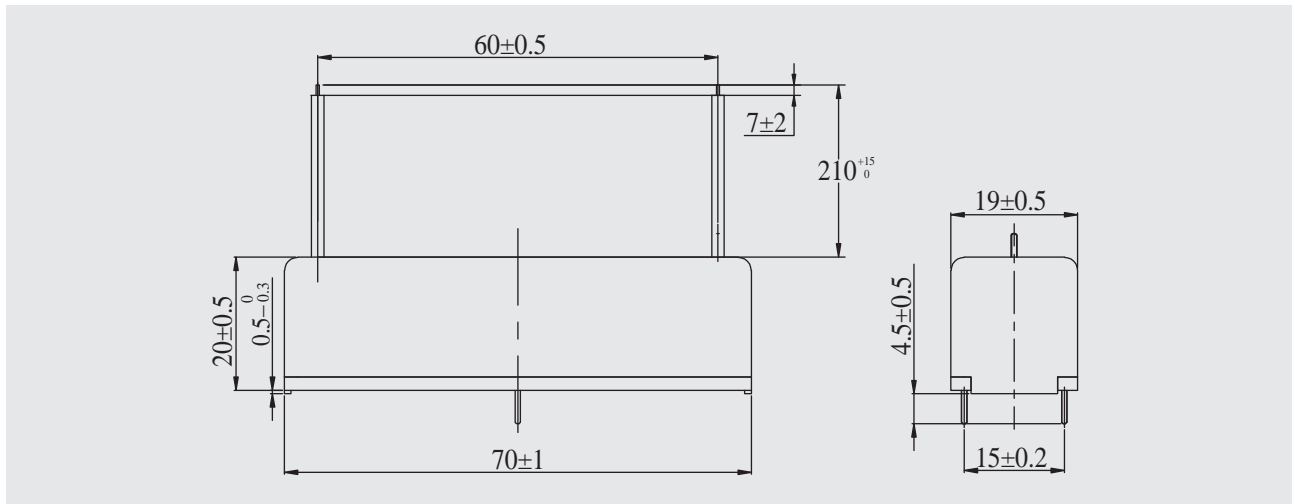
Breakdown Classification	100	140	180
Contact Form	1 Form A		
Contact Rating	50W		
Switching Voltage	DC.7.5KV	DC.10KV	DC.10KV
Max. Switching Current	2.0A		
Max. Carry Current	3.0A		



Specification

Contact Resistance	150MΩ MAX. (Initial)			
Breakdown Voltage :	Open contacts	DC.10KV MIN	DC.14KV MIN	DC.18KV MIN
	Contact to Coil	DC.15KV MIN		
Insulation Resistance :	Open contacts	1 × 10 ⁹ Ω MIN. (DC.100V)		
	Contact to Coil	1 × 10 ⁹ Ω MIN. (DC.100V)		
Electromotive Capacitance	2.0pF MAX			
Operate Time	(Incl.bounce) 4.0 Ms MAX. (at Nominal Voltage)			
Release Time	2.0mS MAX. (at Nominal Voltage)			
Vibration	20G (0~55Hz, 1.5mm)			
Shock	30G (11mS, 1/2 Sin Wave)			
Operating Temperature	-20°C ~+70°C			
Storage Temperature	-35°C ~+90°C			
Life Expectancy of Mechanical	1 × 10 ⁸ MIN. Operations (R.L.)			
Life Expectancy of Electrical	DC.7500V-1mA0.5 × 10 ⁶ MIN.Operations(R.L.)	DC.10000V-1mA0.5 × 10 ⁶ MIN.Operations(R.L.)		

Dimensions (Unit : mm)



Wiring Diagrams (Top View)

