



HMR8 Series

Wet Reed Relay

Features

- High Breakdown Voltage Reed Relay.
- Low and Stable Contact Resistance.
- Low Stray Capacitance.
- Magnetic Shield and diode Options.



Order Code

HMR8-2A-XX X-X
a b c

a : Coil Voltage 05=5VDC, 12=12VDC, 24=24VDC
b : Options NIL=No diode, D=diode
c : 1=Standard, 2=Special

Coil Data-Standard Type (at 20°C)

Nominal Voltage DC $\pm 10\%$ [V]	Coil Resistance $\pm 10\%$ [ohm]	Nominal Current (mA)	Min. Release Voltage (VDC)	Min. Operate Voltage (VDC)
5	50	100	0.5	3.8
12	250	48	1.0	9.0
24	1000	24	2.0	18.0

Contact Rating

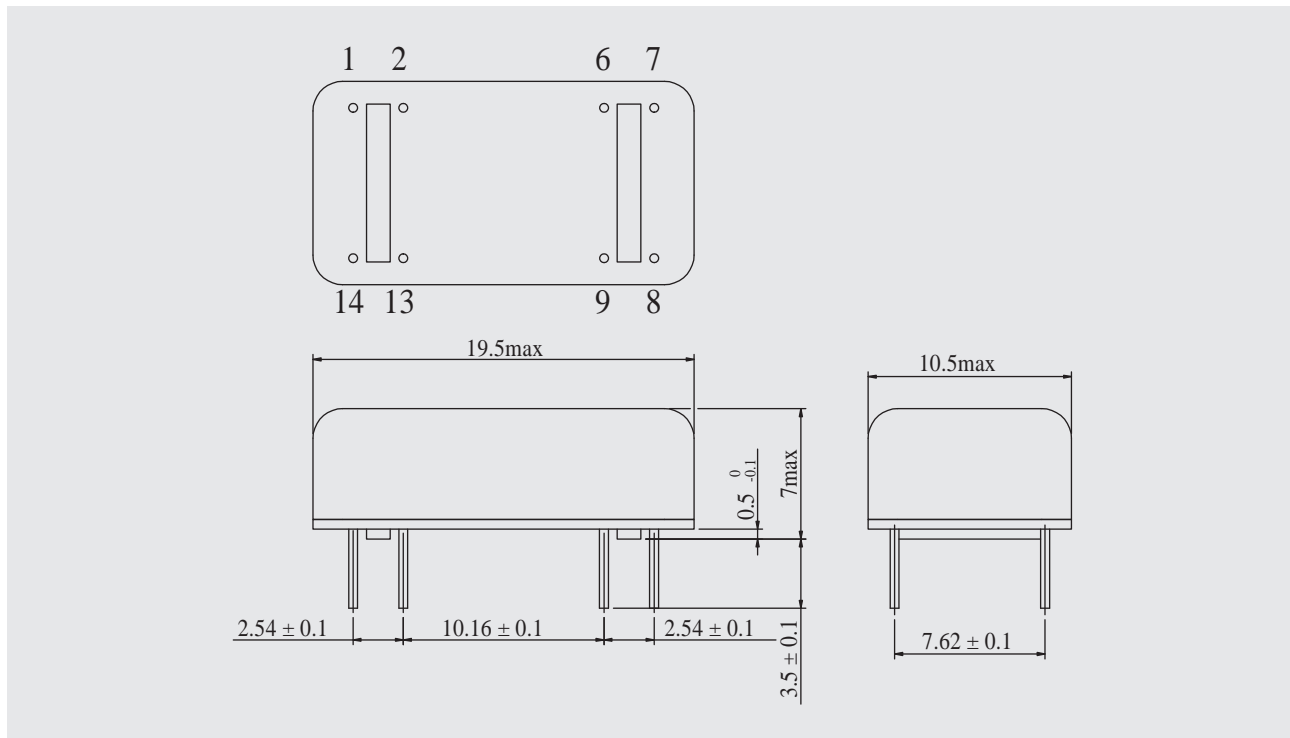
Part Number	Standard	Special
Contact Form	2 Form A	2 Form A
Contact Rating	50W	50W
Max.Switching Voltage	1500VDC	500VDC
Max.Switching Current	2A	2A
Max.Carry Current	3A	3A



Specification

Part Number	Standard	Special
Contact Resistance	100mΩ	100mΩ
Breakdown Voltage	Open contacts 2000VDC	Open contacts 1500VDC
	Contact to Coil 1000VDC	Contact to Coil 1000VDC
Insulation Resistance	Open contacts 1x10 ⁹ Ω	Open contacts 1x10 ⁹ Ω
	Contact to Coil 1x10 ⁹ Ω	Contact to Coil 1x10 ⁹ Ω
Capacitance(typ)	Open contacts 0.3pF	Open contacts 0.3pF
Operate Time	2.5mS	2.5mS
Release Time	1.5mS	1.5mS
Vibration	20G	20G
Shock	30G	30G
Operating Temperature	-10°C ~+60°C	-10°C ~+60°C
Storage Temperature	-20°C ~+80°C	-20°C ~+80°C
Life Expectancy of Mechanical	1x10 ⁹ operations	1x10 ⁹ operations
Life Expectancy of Electrical	500VDC-100mA, 5x10 ⁷ operations	500VDC-100mA, 5x10 ⁷ operations

Dimensions (Unit : mm)



Wiring Diagrams (Top View)

