

TPA Series

D/A-Load Current : 5.0A

Features

- TTL logic circuit compatible input
- Zero voltage on
- Zero current off
- Load current 5A



Order Code:

TPA M 2 5

a b c d

a : Model : TPA = DC Input, AC Output

b : Input Voltage : M = 3~14 VDC ; H = 10~32 VDC ; L = 3~32 VDC

c : Output Voltage : 2 = 220 VAC ; 3 = 380 VAC

d : Rated Current : 5 = 5A

Specifications (DC Output)

Input Circuit			
Type	TPAM*5	TPAH*5	TPAL*5
Input Voltage Range	3~14 VDC	10~32 VDC	3~32 VDC
Input Current	5~25 mA	5~16 mA	5~15 mA
Min Release Voltage	1VDC	5 VDC	1VDC

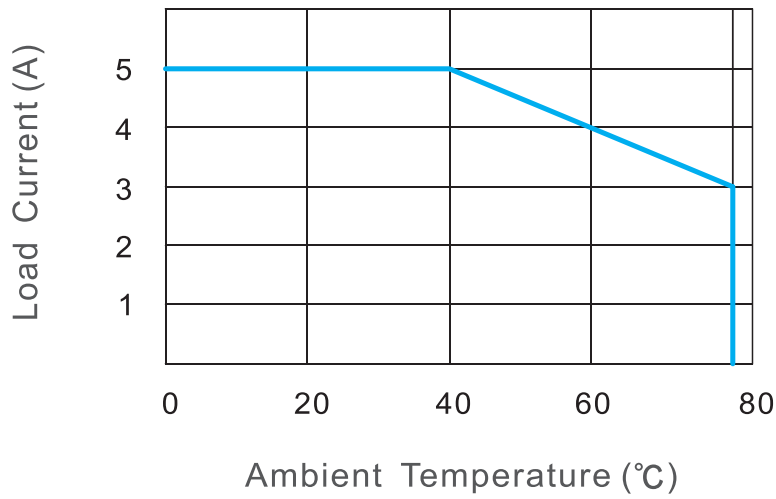
Output Characteristics(at20°C)		
Type No	TPA***	
Load Voltage Range	2	220 VAC
	3	380 VAC
Max. Rated Load Current Range	5A	
Max. Surge Current (10ms)	50A	
Transient Overvoltage	2	600Vp
	3	800Vp
Max. ON-State Drop Voltage	1.5VAC	
Max. Leakage Current	5 mA	
Max. Turn - ON Time	10ms	
Max. Turn - OFF Time	10ms	
Operate Frequency	47~70Hz	
Max. Power Dissipation	1.5 W/A	
Min. OFF-State dv/dt	250V/ μ S	

為了持續的改進，敝司有權在不影響規格範圍的情況下修改設計。

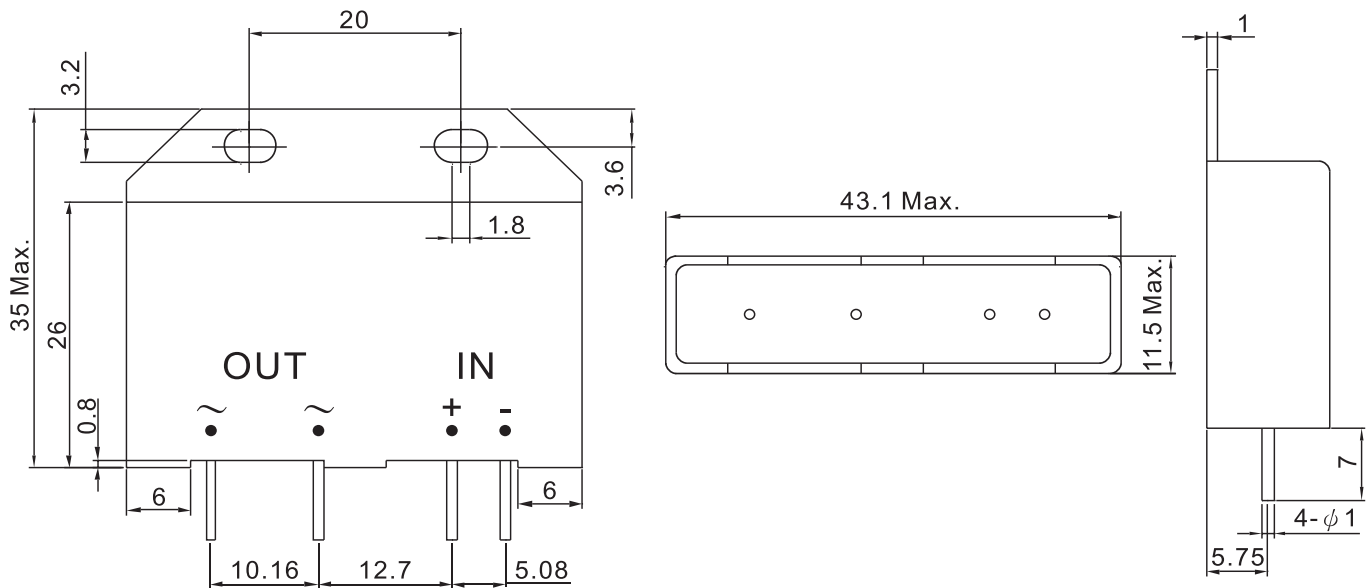
In the interest of continuous development, our companies reserve the right to alter designs within specification range.

Output Characteristics	
Min. Insulation Resistance	1000MΩ
Dielectric Strength	2000 V.r.m.s.
Operating Temperature	-30°C ~+80°C
Storage Temperature	-40°C ~+100°C
Unit Weight	25g Max.

DC Output Characteristic



Dimensions : (Unit : mm)



為了持續的改進，敝司有權在不影響規格範圍的情況下修改設計。

In the interest of continuous development, our companies reserve the right to alter designs within specification range.