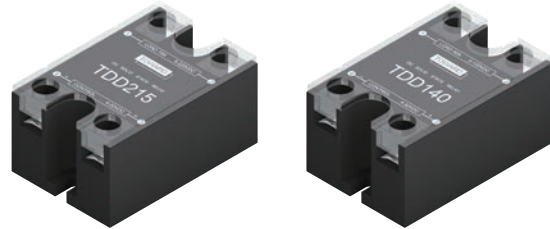


TDD Series

D/D-Load Current : 15~40A

Features

- Optically isolated;DC output
- Input LED indicator
- High dv/dt and high blocking voltage
- TTL and CMOS compatible control
- High surge rating allows lamp and motor load switching
- MOSFET output



Order Code:

TDD 1 40 * *

a b c d e

- a : Model : TDD = DC Input, DC Output
 b : Output Voltage : 1 = 100VDC ; 2 = 200VDC
 c : Rated Current : 15A, 25A, 40A
 d : Special Code : NIL - With LED ; N = Without LED
 e : Option : NIL = Without Safety Cover ; C = With Safety Cover

Input

Type	15A	25A	40A
Input Voltage Range	4~32 VDC		
Input Current	16~27mA		
Max Operate Voltage	4VDC		
Min Release Voltage	1VDC		

Output Load

Type NO		15A	25A	40A
Load Voltage Range	100VDC	5~100VDC		
	200VDC	5~200VDC		
Max. Rated Load Current Range		15A	25A	40A
Max. Surge Current (100ms)	100VDC	60	80	120
	200VDC	60	-	-
ON-Resistance(Ω)(Max.)	100VDC	0.12	0.06	0.04
	200VDC	0.12	-	-
Max. Leakage Current		10 μA		
Max. Turn - ON Time		3ms		
Max. Turn - OFF Time		3ms		

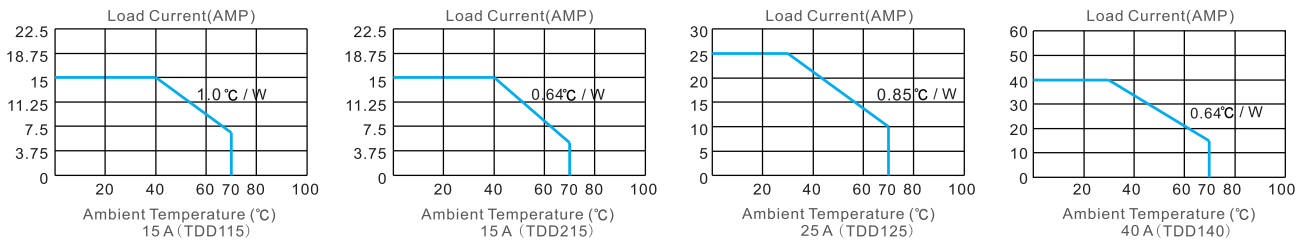
為了持續的改進，敝司有權在不影響規格範圍的情況下修改設計。

In the interest of continuous development, our companies reserve the right to alter designs within specification range.

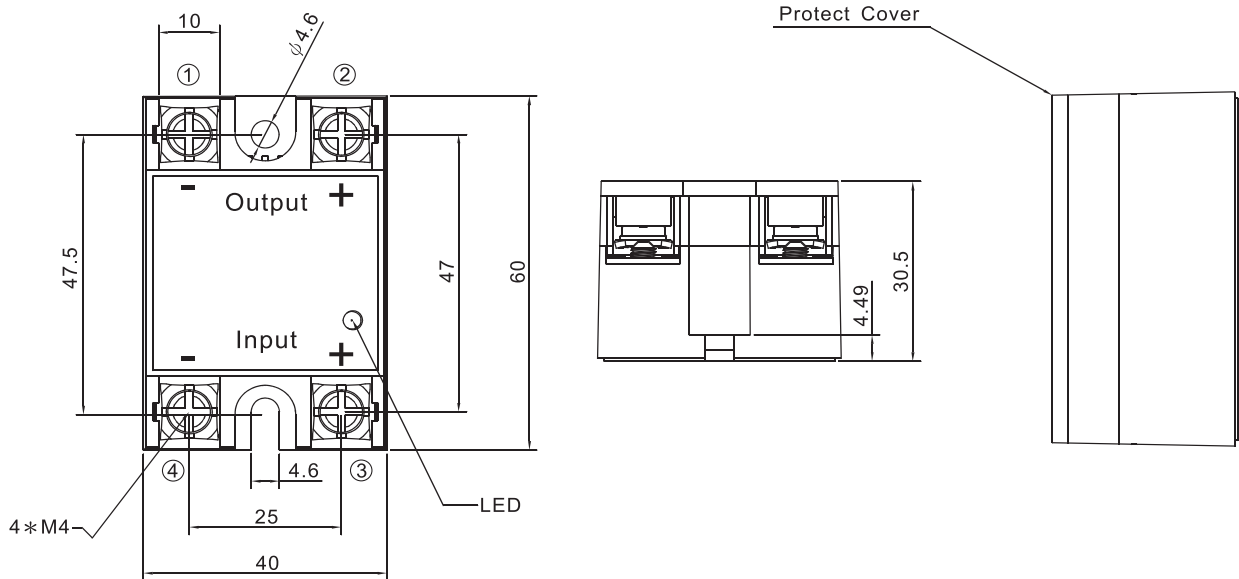
General Rating

Min. Insulation Resistance	1000MΩ
Insulation Between Input-Output	3500 VAC
Operating Temperature	-30°C ~+70°C
Storage Temperature	-40°C ~+100°C
Unit Weight	Approx 120g

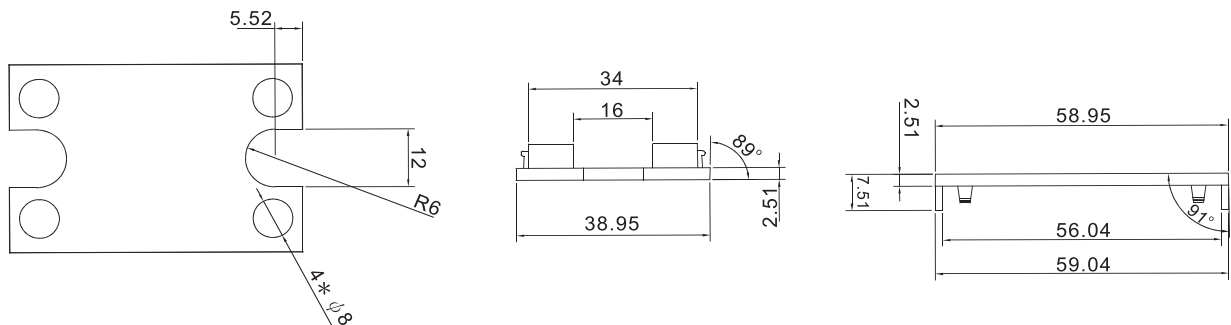
Load Current Derating Curve



Dimensions : (Unit : mm)



Protect Cover



為了持續的改進，敝司有權在不影響規格範圍的情況下修改設計。

In the interest of continuous development, our companies reserve the right to alter designs within specification range.