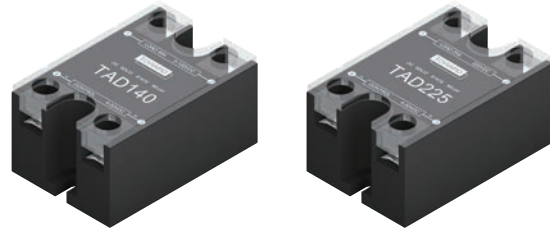


## TAD Series

A/D·Load Current : 10~40A

## Features

- Optically isolated; AC output; DC output
- Input LED indicator
- High dv/dt and high blocking voltage
- MOSFET output



## Order Code:

TAD 2 25 \* \*

a b c d e

- a : Model : TAD = AC Input, DC Output  
 b : Output Voltage : 1 = 100VDC ; 2 = 200VDC  
 c : Rated Current : 10A, 15A, 25A, 40A  
 d : Special Code : NIL - With LED ; N = Without LED  
 e : Option : NIL = Without Safety Cover ; C = With Safety Cover

## Input

Type	10A	15A	25A	40A
Input Voltage Range	90~280 VAC			
Input Current	1.0~7.0mA			
Max Operate Voltage	90VAC			
Min Release Voltage	20VDC			

## Output Load

Type NO		10A	15A	25A	40A
Load Current Range (VAC)	100VDC	5~100VDC			
	200VDC	5~200VDC			
Max. Rated Load Current Range		10A	15A	25A	40A
Max. Surge Current (100ms)	100VDC	30	60	80	120
	200VDC	30	60	80	-
ON-Resistance(Ω)(Max.)	100VDC	0.20	0.12	0.06	0.05
	200VDC	0.20	0.12	0.06	-
Max. Leakage Current		10 μA			
Max. Turn - ON Time		15ms			
Max. Turn - OFF Time		30ms			

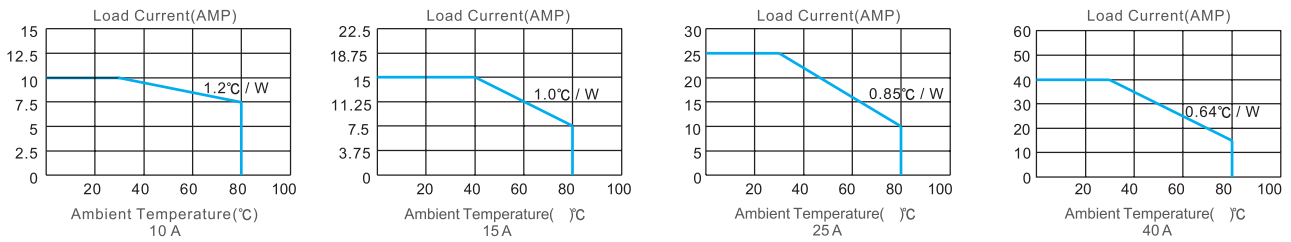
為了持續的改進，敝司有權在不影響規格範圍的情況下修改設計。

In the interest of continuous development, our companies reserve the right to alter designs within specification range.

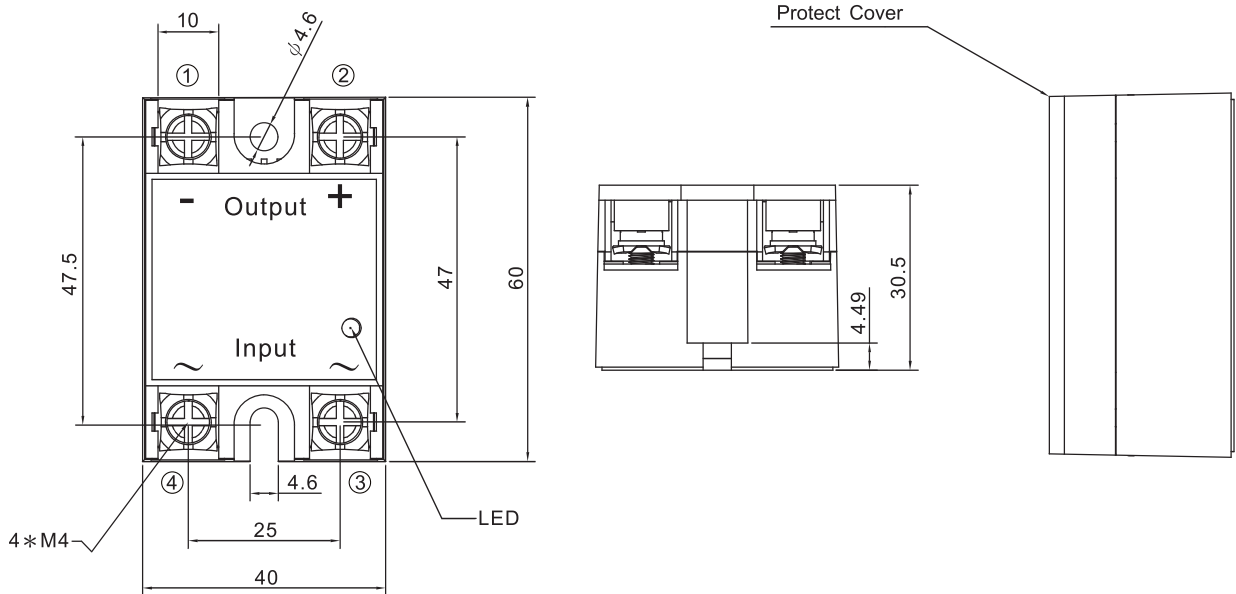
### General Rating

Min. Insulation Resistance	1000MΩ (Input / Output)
Insulation Between Input-Output	2500 VAC (Input / Output)
Operating Temperature	-30°C ~+80°C
Storage Temperature	-40°C ~+100°C
Unit Weight	Approx 120g

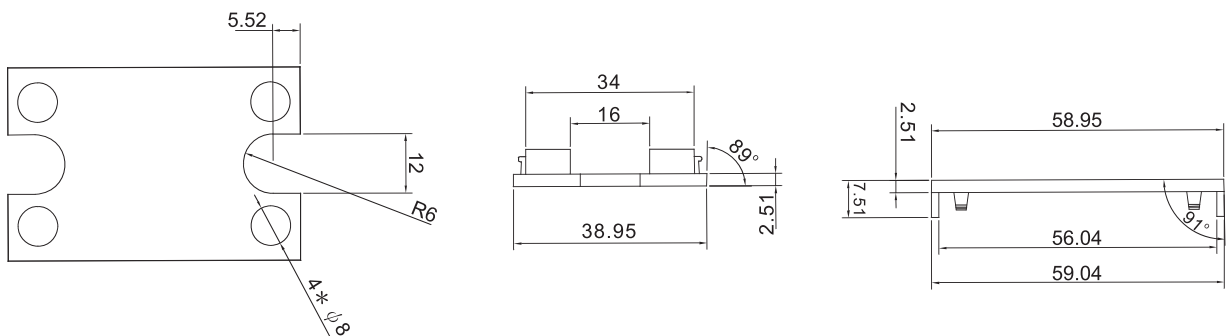
### Load Current Derating Curve



### Dimensions : (Unit : mm)



### Protect Cover



為了持續的改進，敝司有權在不影響規格範圍的情況下修改設計。

In the interest of continuous development, our companies reserve the right to alter designs within specification range.