

TDA/TAA Series *D/A·A/A·Load Current : 10~40A*

Features

- Optically isolated; AC output
- Input LED indicator
- High dv/dt and high blocking voltage
- TTL and CMOS compatible control
- Zero voltage turn-on, zero current turn-off (minizes EMI/RFI)
- High surge rating allows lamp and motor load switching
- Output snubber circuit protection
- VDE recognized



Order Code:

TDA 2 25 * * * *
a b c d e f g

a : Model : TDA = DC Input, AC Output ; TAA = AC Input, AC Output
b : Output Voltage : 2 = 240VAC ; 3 = 380VAC ; 4 = 480VAC
c : Rated Current : 10A, 15A, 25A, 40A
d : Turn-On Type : NIL = Zero-On
e : Special Code : NIL = With LED ; N = Without LED
f : Option : NIL = Without Safety Cover ; C = With Safety Cover
g : Terminal : NIL = Without Terminal ; T = With Terminal

Input

Type	TDA	TAA
Input Voltage Range	4~32 VDC	90~280 VAC
Input Current	6~17mA	7~22mA
Min Release Voltage	1VDC	20 VAC

Output Load

Type NO	10A	15A	25A	40A
Max. Rated Load Current Range	10A	15A	25A	40A
Max. Surge Current (10ms)	100A	150A	250A	400A
Load Voltage Range	2	24~280 VAC		
	3	48~380 VAC		
	4	48~480 VAC		
Transient Overvoltage	2	600Vp		
	3	800Vp		
	4	1000Vp		
Max. ON-State Drop Voltage	1.8VAC			
Max. Leakage Current	10 mA			
Max. Turn - ON Time	Zero-on:10ms			
Max. Turn - OFF Time	30ms			
Operate Frequency	47~70Hz			
Max. Power Dissipation	2W/A			
Min. OFF-State dv/dt	250V/μS			

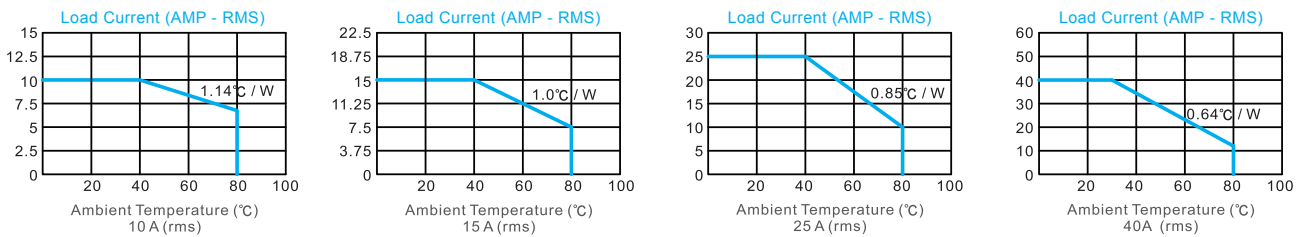
為了持續的改進，敝司有權在不影響規格範圍的情況下修改設計。

In the interest of continuous development, our companies reserve the right to alter designs within specification range.

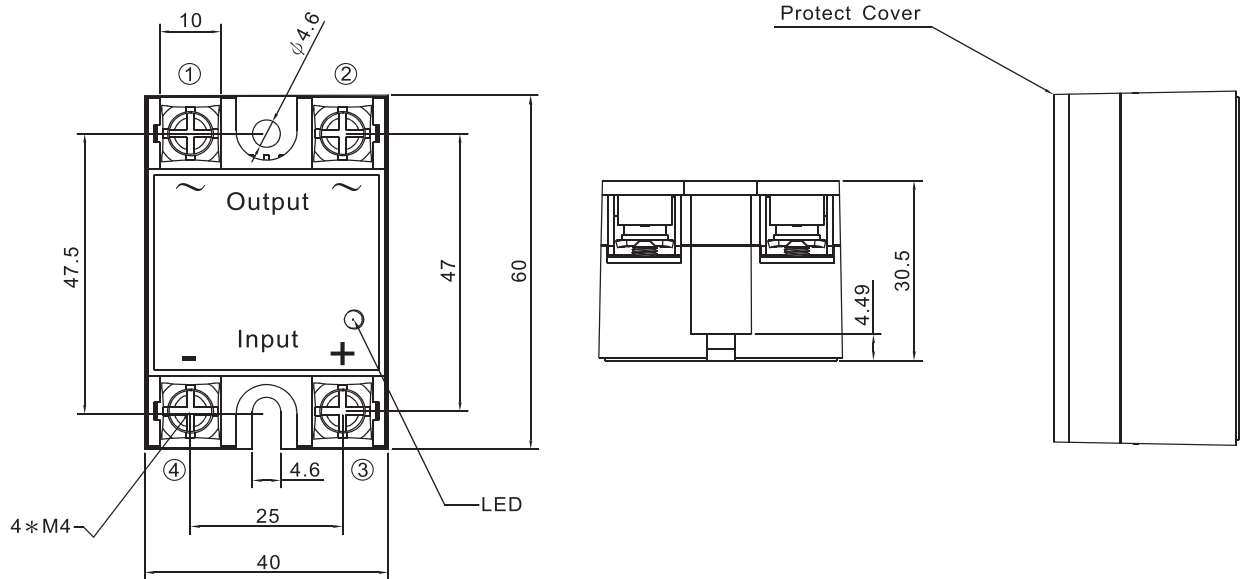
General Rating

Min. Insulation Resistance	1000MΩ
Insulation Between Input-Output	3500 VAC
Insulation Input-Output To Case	2000 VAC
Operating Temperature	-30°C ~+80°C
Storage Temperature	-40°C ~+100°C
Unit Weight	Approx 120g

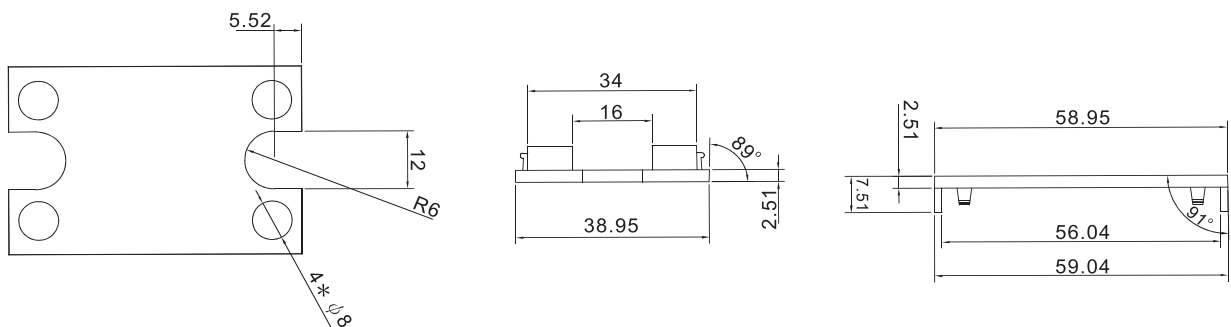
Load Current Derating Curve



Dimensions : (Unit : mm)



Protect Cover



為了持續的改進，敝司有權在不影響規格範圍的情況下修改設計。

In the interest of continuous development, our companies reserve the right to alter designs within specification range.