

TPD Series

D/D-Load Current : 5.0A

Features

- DC input, DC output
- Magnetism isolated
- Epoxy flooding, aluminium bottom radiator
- Power MOSFET output



Order Code:

TPD S 0 5

a b c d

- a : Model : TPD = DC Input, DC Output
 b : Input Voltage : S = 3~7 VDC ; H = 10~32 VDC
 c : Output Voltage : 0 = 50 VDC
 d : Rated Current : 5 = 5A

Specifications (DC Output)

Type	Input Circuit	
	TPDS05	TPDH05
Input Voltage Range	3~7 VDC	10~32 VDC
Input Current	3~15mA	3~15mA
Min Release Voltage	1VDC	3 VDC

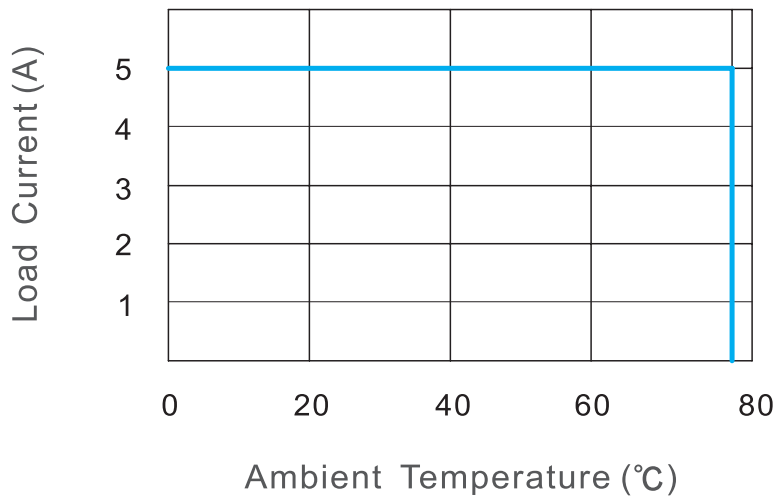
Output Characteristics(at20°C)	
Type No	TPD
Max. Load Voltage	50VDC
Max. Rated Load Current	5A
Max. Surge Current (10ms)	17.5A
Transient Overvoltage	55Vp
Max. ON-Resistance	0.01Ω
Max. Leakage Current	0.01mA
Max. Turn - ON Time	0.1ms
Max. Turn - OFF Time	0.5ms
Power Dissipation	0.25W

為了持續的改進，敝司有權在不影響規格範圍的情況下修改設計。

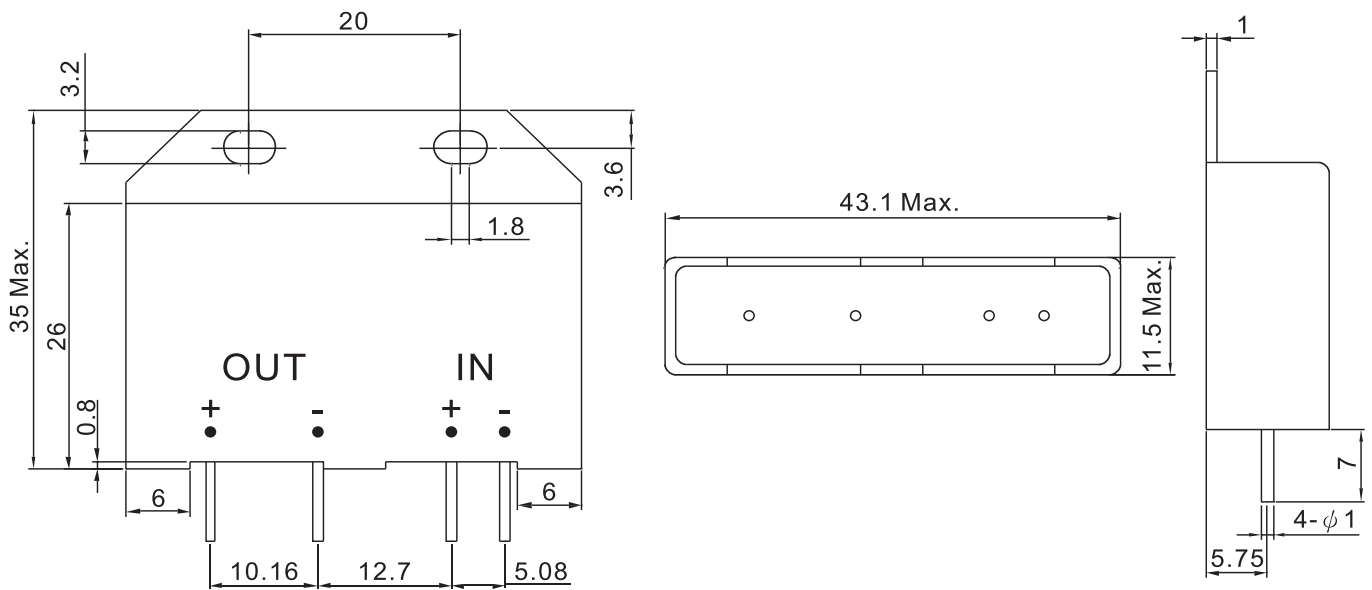
In the interest of continuous development, our companies reserve the right to alter designs within specification range.

General Characteristics	
Min. Insulation Resistance	1000MΩ
Dielectric Strength	2000 V.r.m.s.
Operating Temperature	-30°C ~+80°C
Storage Temperature	-40°C ~+100°C
Unit Weight	25g Max.

DC Output Characteristic



Dimensions : (Unit : mm)



為了持續的改進，敝司有權在不影響規格範圍的情況下修改設計。

In the interest of continuous development, our companies reserve the right to alter designs within specification range.