

## TM Series

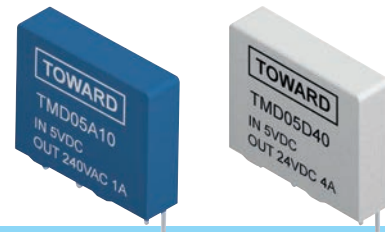
*D/D·D/A·Load Current:1~4A*

## Features

- Optically isolated
- Ultra Slim and light weight, Sil terminals type for high density mounting :
  - Size : 5(W) x 20(L) x 17(H) mm;
  - Weight approximately 3.0g
- Low On-state resistance
- Low input power consumption  
TTL and CMOS compatible control
- MOSFET output thyristor (DC output only)
- UL recognized.

## Applications

- Temperature control system
- Industrial automatic control
- Lighting System
- Office appliances
- Factory appliances



## Order Code:

TM D05 A10

a b c

a : Model : TM = Mini SIP Type

b : Input Voltage : D05 = DC5V ; D12 = DC12V ; D24 = DC24V

c : Output Current : A10 = AC1.0A ; D40 = DC4.0A

## Specifications (AC Output)

## Input Circuit

Type No	TMD05A10	TMD12A10	TMD24A10
Nominal Voltage	5VDC	12VDC	24VDC
Control Voltage Range	3~8VDC	8~18VDC	18~30VDC
Control Current	16mA	12mA	11mA
Min. Turn-off Voltage	1VDC		

## Output Circuit

Max. Load Current	1.0 A
Min. Load Current	50 mA
Nominal Load Voltage	240 VAC
Load Voltage Range	24~265 VAC
Non-Repetitive Max. Voltage	600 V
Non-Repetitive Max. Peak Current	50 A
Max. Off-State Leakage Current	2.0 mA
Max. On-State Drop Voltage	1.5 V
Zero-On or Random-On	Random-On
Max. Turn-On Time	1 mS
Max. Turn-Off Time	1/2 Cycle + 1 mS
Max. Soldering Heat	220°C (10 Sec)
Insulation Resistance	1000MΩ , DC500V (for Input - Output)
Dielectric Strength (Between Input & Output)	2500V rms , 60 Sec (for Input - Output)
Operating Temperature Range	-30°C ~+80°C
Storage Temperature Range	-40°C ~+100°C

為了持續的改進，敝司有權在不影響規格範圍的情況下修改設計。

In the interest of continuous development, our companies reserve the right to alter designs within specification range.

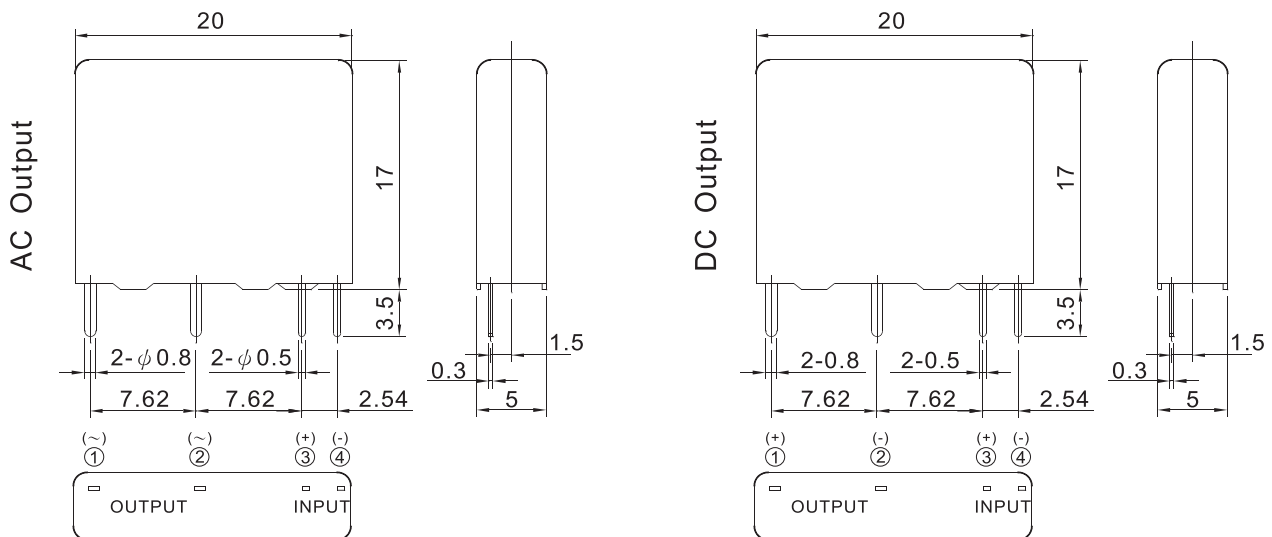
## Specifications (DC Output)

Input Circuit			
Type No	TMD05D40	TMD12D40	TMD24D40
Nominal Voltage	5VDC	12VDC	24VDC
Control Voltage Range	3~8VDC	8~18VDC	18~30VDC
Control Current	16mA	12mA	11mA
Min. Turn-off Voltage	1VDC		

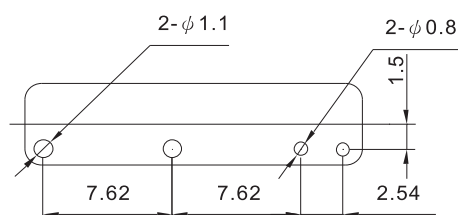
  

Output Circuit	
Max. Load Current	4.0 A
Min. Load Current	1 mA
Nominal Load Voltage	60 VDC
Load Voltage Range	0~60 VDC
Max. Peak Current	7A (10ms)
Max. Off-State Leakage Current	<1 mA
Max. On-State Drop Voltage (2A)	0.24 V
Max. Turn-On Time	1 mS
Max. Turn-Off Time	0.1 mS
Operating Switching Frequency	10 Hz
Max. Soldering Heat	220°C (10 Sec)
Insulation Resistance	1000MΩ , DC500V (for Input-Output)
Dielectric Strength (Between Input & Output)	2500V rms , 60 Sec (for Input-Output)
Operating Temperature Range	-20°C ~+80°C
Storage Temperature Range	-25°C ~+80°C

## Dimensions : (Unit : mm)



## P.C.B. Layout (TOP View)



為了持續的改進，敝司有權在不影響規格範圍的情況下修改設計。

In the interest of continuous development, our companies reserve the right to alter designs within specification range.