

TDB Series

*D/A·Normal Close Type·
Load Current :10~40A*

Features

- Optically isolated;AC output;Normal Close type
- Input LED indicator
- High dv/dt and high blocking voltage
- TTL and CMOS compatible control
- Zero current turn-off (minizes EMI/RFI)
- High surge rating allows lamp and motor load switching
- Output snubber circuit protection



Order Code:

TDB 2 25 R * *

a b c d e f

- a : Model : TDB = DC Input, AC Output ; Normal close type
 b : Output Voltage : 2 = 240VAC
 c : Rated Current : 10A, 15A, 25A, 40A
 d : Turn-On Type : NIL = Zero-On ; R = Random-On
 e : Special Code : NIL = With LED ; N = Without LED
 f : Option : NIL = Without Safety Cover ; C = With Safety Cover

Input

Type	TDB
Input Voltage Range	4~32 VDC
Input Current	1.5~4.0mA
Min Release Voltage	1VDC

Output Load

Type NO	10A	15A	25A	40A
Max. Rated Load Current Range	10A	15A	25A	40A
Max. Surge Current (10ms)	100A	150A	250A	400A
Load Voltage Range	24~280 VAC			
Transient Overvoltage	600Vp			
Max. ON-State Drop Voltage	1.6VAC			
Max. Leakage Current	10 mA			
Max. Turn - ON Time	Random-on:1ms		Zero-on:10ms	
Max. Turn - OFF Time	10ms			
Operate Frequency	47~70Hz			
Max. Power Dissipation	2W/A			
Min. OFF-State dv/dt	250V/μS			

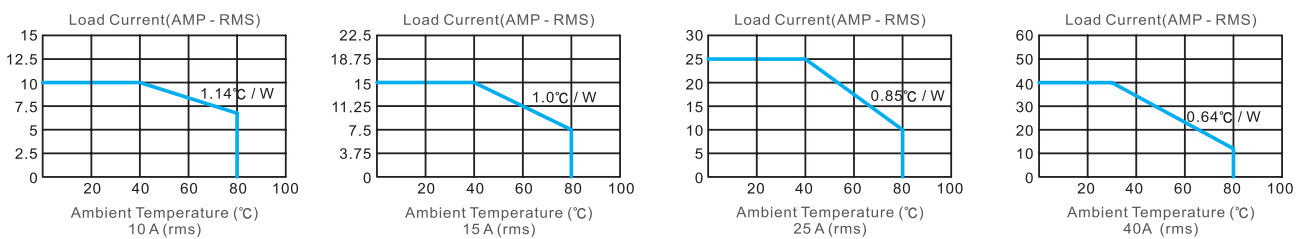
為了持續的改進，敝司有權在不影響規格範圍的情況下修改設計。

In the interest of continuous development, our companies reserve the right to alter designs within specification range.

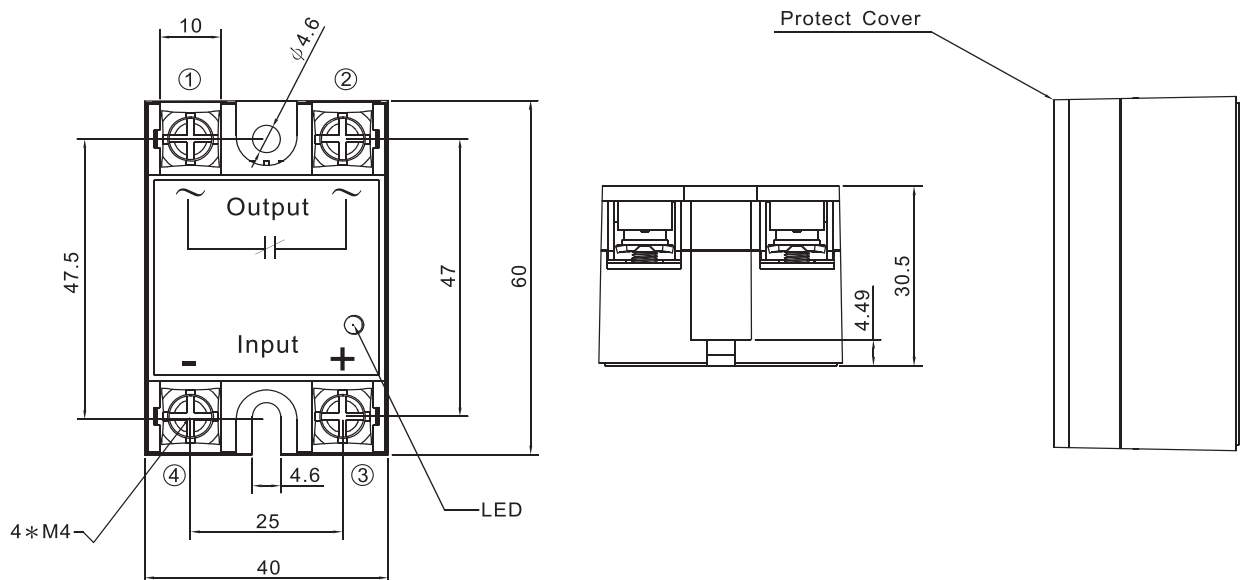
General Rating

Min. Insulation Resistance	1000MΩ
Insulation Between Input-Output	3500 VAC
Insulation Input-Output To Case	2000 VAC
Operating Temperature	-30°C ~+80°C
Storage Temperature	-40°C ~+100°C
Unit Weight	Approx 120g

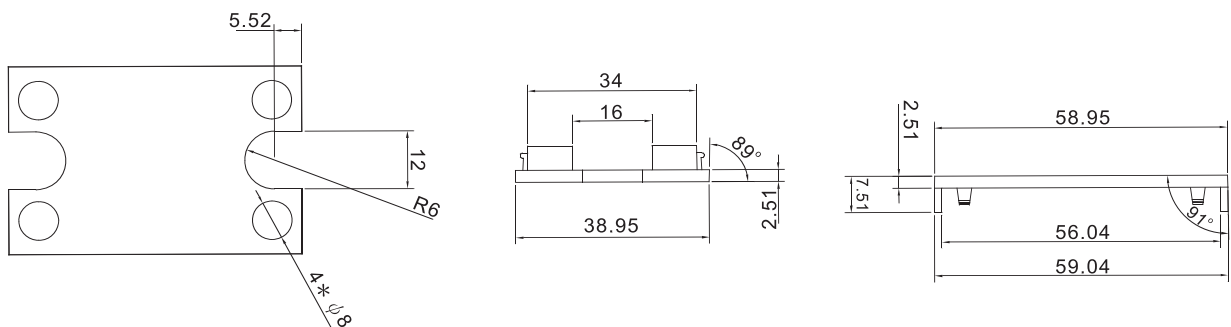
Load Current Derating Curve



Dimensions : (Unit : mm)



Protect Cover



為了持續的改進，敝司有權在不影響規格範圍的情況下修改設計。

In the interest of continuous development, our companies reserve the right to alter designs within specification range.