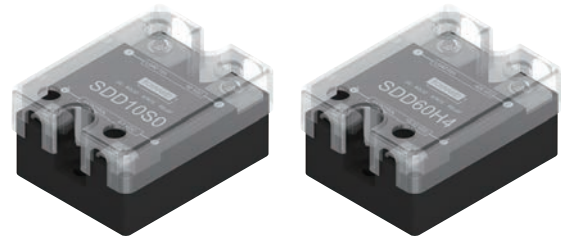


## SDD Series

*D/D-Load Current : 10~80A*

## Features

- Magnetism isolated; DC output
- Input LED indicator
- High dv/dt and high blocking voltage
- TTL and CMOS compatible control
- High surge rating allows lamp and motor load switching
- MOSFET/IGBT output



## Order Code:

SDD 10 S 0 \* \*

a b c d e f

a : Model : SDD = DC Input, DC Output

b : Rated Current : 10A, 20A, 35A, 60A, 80A

c : Input Voltage : S = 4~7 VDC ; H = 10~32 VDC

d : Output Voltage : 0 = 50/80 VDC ; 2 = 220 VDC ; 4 = 400 VDC

e : Special Code : NIL = With LED ; N = Without LED

f : Option : NIL = With Safety Cover ; C = Without Safety Cover

## Input

Type		10A-60A	80A
Input Voltage Range	S	4~7 VDC	4~7 VDC
	H	10~32 VDC	10~32 VDC
Max. Pick - Up Voltage	S	4V	4V
	H	10V	10V
Max. Input Current		20mA	20mA
Min. Release Voltage	S	1VDC	1VDC
	H	4VDC	2VDC

## Output Load

Type NO		10A	20A	35A	60A	80A
Load Voltage Range(VDC)	0	50	50	50	50	80
	2	220	220	220	-	-
	4	400	400	400	400	-
Max. Rated Load Current(A)		10	20	35	60	80
Max. Surge Current (100ms)	0	50	60	80	120	150
	2	40	40	60	-	-
	4	40	80	120	160	-
Transient Overvoltage(Vp)	0	55	55	55	55	100
	2	400	500	500	-	-
	4	500	600	600	600	-
ON-Resistance(Ω) Or Drop Voltage(V)	0	0.05Ω	0.02Ω	0.01Ω	0.01Ω	0.5VDC
	2	0.1Ω	0.1Ω	0.1Ω	-	-
	4	0.12Ω	2VDC	2VDC	2VDC	-
Max. Leakage Current		10 μA	10 μA	10 μA	10 μA	1mA
Max. Turn - ON Time(ms)		0.1	0.1	0.1	0.1	0.1
Max. Turn - OFF Time(ms)		0.5	0.5	0.5	0.5	1.0

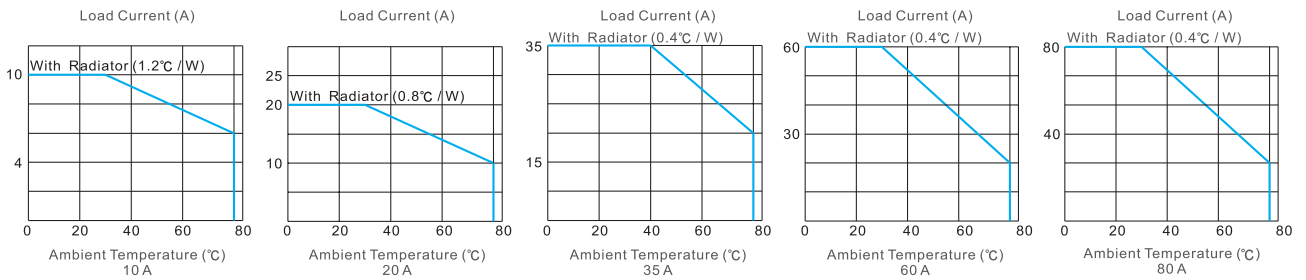
為了持續的改進，敝司有權在不影響規格範圍的情況下修改設計。

In the interest of continuous development, our companies reserve the right to alter designs within specification range.

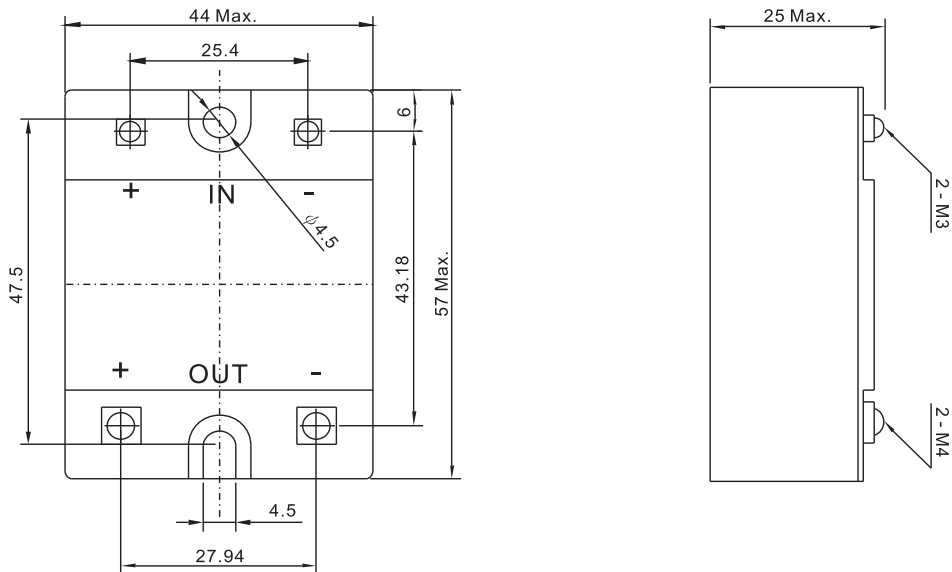
### General Rating

Min. Insulation Resistance	1000MΩ
Dielectric Strength	1000 VAC
Operating Temperature	-30°C ~+80°C
Storage Temperature	-40°C ~+100°C
Unit Weight	Approx 120g

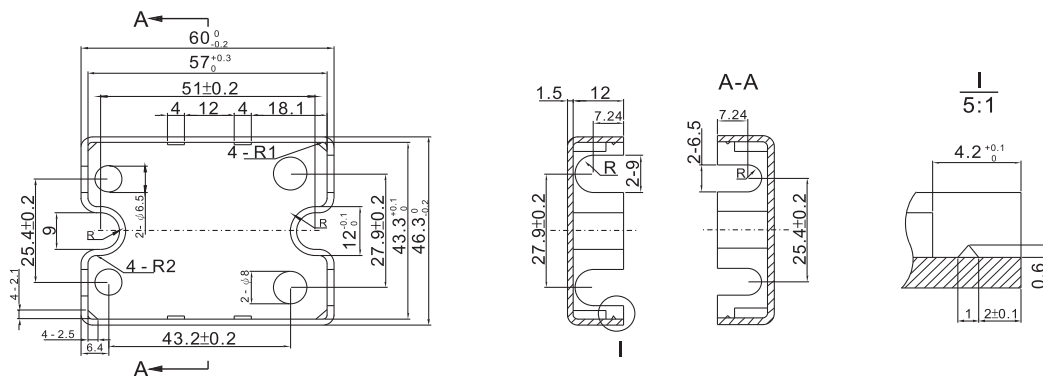
### Load Current Derating Curve



### Dimensions : (Unit : mm)



### Safety Cover



為了持續的改進，敝司有權在不影響規格範圍的情況下修改設計。

In the interest of continuous development, our companies reserve the right to alter designs within specification range.