

HRR5 Series

Hi-Voltage Reed Relay

Features

- High Breakdown Voltage Reed Relay.
- Low and Stable Contact Resistance.
- Low Stray Capacitance.



Order Code

HRR5-2A XX-X
a b

a : Coil Voltage 05 : 5VDC 12 : 12VDC 24 : 24VDC
b : 1 : Standard 2 : Special

Coil Data-Standard Type 2 Form A (at 20°C)

Part Number	Nominal Voltage DC $\pm 10\%$ [V]	Coil Resistance $\pm 10\%$ [ohm]	Nominal Current [mA]	Min. Release Voltage [VDC]	Max. Operate Voltage [VDC]
HRR5-2A	5	150	10	0.5	3.8
	12	1050	11.4	1.0	9.0
	24	2080	11.5	2.0	18.0

Contact Data

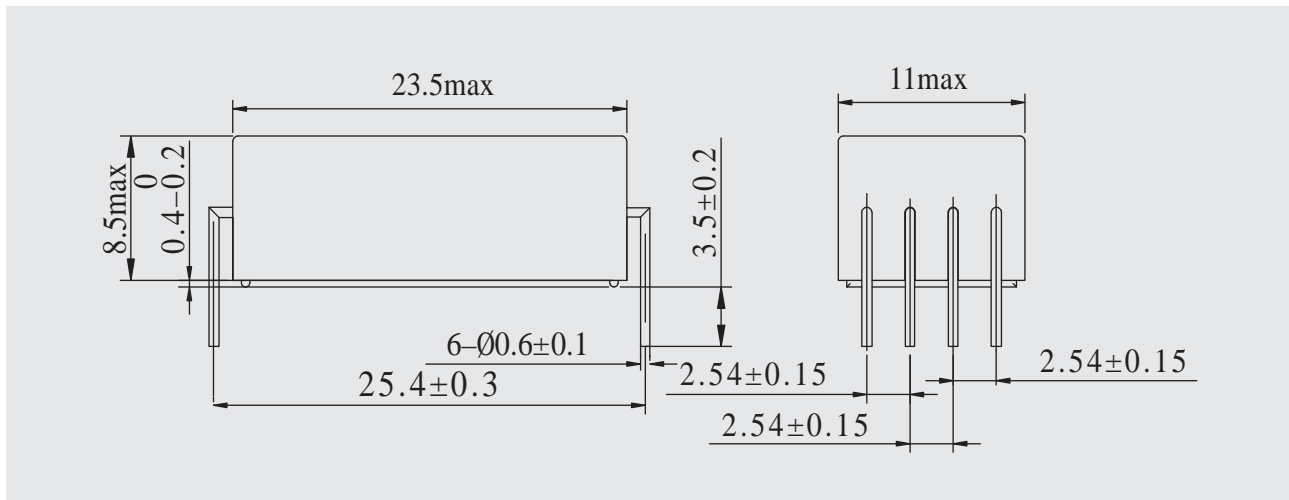
Part Number	Standard	Special
Contact Form	2 Form A	2 Form A
Contact Rating	10W	10W
Max. Switching Voltage	200V	1000V
Max. Switching Current	0.5A	0.5A
Max. Carry Current	1.2A	1.3A



Specifications

Part Number		Standard	Special
Contact Resistance		100mΩ	100mΩ
Breakdown Voltage :	Open contacts	250VDC	2000VDC
	Contact to Coil	1500VDC	1500VDC
Insulation Resistance :	Open contacts	$1 \times 10^{10} \Omega$	$1 \times 10^{10} \Omega$
	Contact to Coil	$1 \times 10^{10} \Omega$	$1 \times 10^{10} \Omega$
Capacitance (typ.)		Open contacts 0.3pF	Open contacts 0.2pF
Operate Time		0.6mS	1.0mS
Release Time		0.2mS	0.5mS
Vibration		20G	20G
Shock		30G	30G
Operating Temperature		-10°C ~+60°C	-10°C ~+60°C
Storage Temperature		-30°C ~+80°C	-30°C ~+80°C
Life Expectancy of Mechanical		1×10^8 operations	1×10^8 operations
Life Expectancy of Electrical		200VDC-1mA, 1×10^6 operations	500VDC-1mA, 1×10^6 operations

Dimensions (Unit : mm)



Wiring Diagrams (Top View)

