

TG Series

D/A-Load Current : 2.0A

Features

- Small volume, SIP PCB mounting
- DC input, AC output
- Load current 2A
- Insulation voltage 2500V
- Internal RC circuit snubber

Applications

- Air conditioner
- Programmable control machine
- Greaser
- Automobile



Order Code:

TG D05 A20 3 R

a b c d e

- a : Model : TG = DC Input, AC Output
 b : Input Voltage : D05 = DC5V ; D12 = DC12V ; D24 = DC24V
 c : Output Current : A = AC 2.0A
 d : Output Voltage : NIL = 240VAC ; 3 = 380VAC
 e : Turn - On Type : NIL = Zero - ON ; R = Random - ON

Specifications (AC Output)

Input Circuit			
Type No	TGD05*****	TGD12*****	TGD24*****
Control Voltage Range	4~6 VDC Max.	9.6~14.4 VDC Max.	19.2~28.8 VDC Max.
Pick-Up Voltage	4VDC Max.	9.6VDC Max.	19.2VDC Max.
Input Current (nominal voltage)	Max. 13.1mA Min. 4.3mA	Max. 16.5mA Min. 5.4mA	Max. 15.4mA Min. 5.2mA
Release Voltage	1 VDC Min.	1 VDC Min.	1 VDC Min.
Input Internal Resistor	440Ω, ±20%	1KΩ, ±20%	2.2KΩ, ±20%

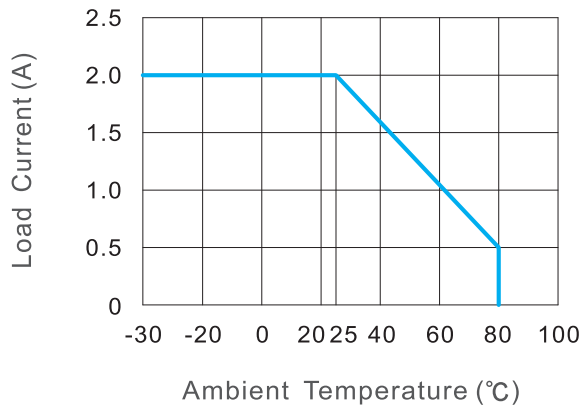
Output Characteristics (at 20°C)			
Type No	TGD**A20	TGD**A20R	TGD**A203
Load Current Range	0.1~2 Arms		
Operating Range	75~264 VAC		90~418 VAC
Non-Repetitive Max. Voltage	600 Vpk		800 Vpk
Non-Repetitive Max. Peak Current	25 Apk , 10ms		
Off-State Leakage Current	1.5mA		2.5mA
Turn-On Time (at 50Hz)	11 ms Max.	1ms Max.	11ms Max.
Turn-Off Time (at 50Hz)	11 ms Max.		
I ² t	3A ² s Max., 10ms		
Off State dv / dt	100 V/ μs Min.		
Min. Power Factor	0.5, Rated Load		

為了持續的改進，敝司有權在不影響規格範圍的情況下修改設計。

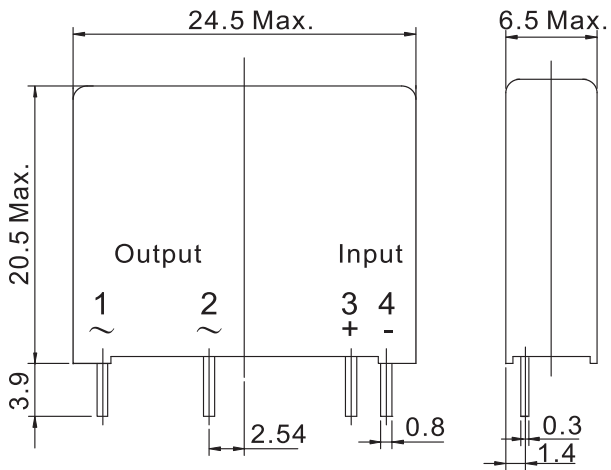
In the interest of continuous development, our companies reserve the right to alter designs within specification range.

General Characteristics	
Insulation Resistance	1000 MΩ Min., 500 VDC
Dielectric Strength	2500 VAC Min., 60Sec
Vibration	10~555Hz, 0.75 mm , Amplitude , 5G
Shock	100 G
Operating Temperature Range	-30°C ~+80°C
Storage Temperature Range	-30°C ~+100°C
Humidity	45%~85%
Weight	6 g

Output Characterize



Dimensions : (Unit : mm)



Bottom View

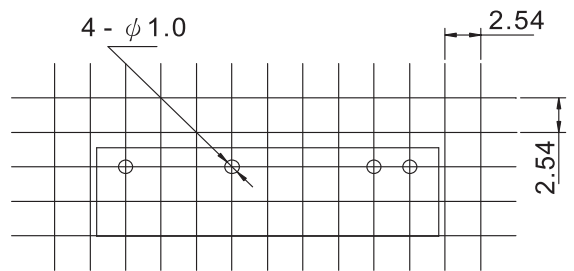
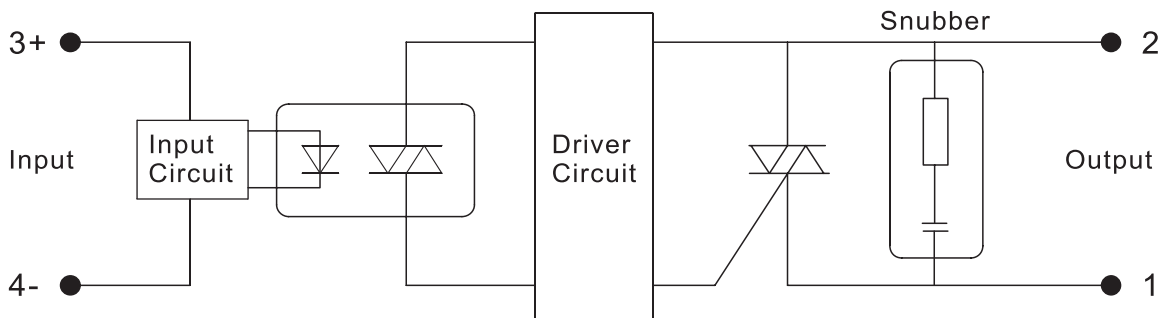


Photo - Triac



為了持續的改進，敝司有權在不影響規格範圍的情況下修改設計。

In the interest of continuous development, our companies reserve the right to alter designs within specification range.